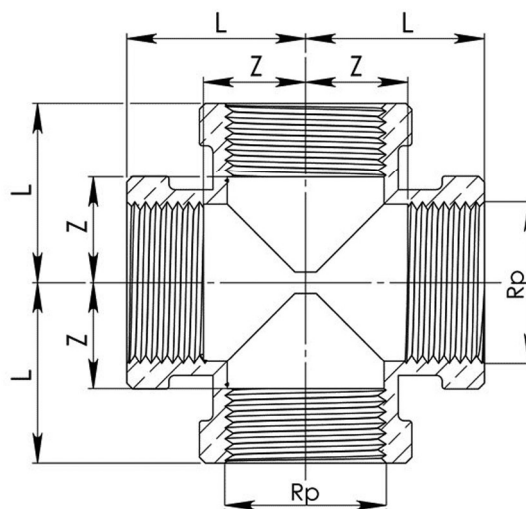


Art. 4.0180



Beschrieb: Kreuz
Material: Rotguss CC499K / DIN 50930-6
Gewindeart: IG-Rp / ISO 7-1
Bemerkungen: SVGW Wasser 1/8" - 4"
 SVGW Gas 1/4" - 2"
 DVGW 3/8" - 2"

Description: croix
Matériel: bronze CC499K / DIN 50930-6
Filetage: f-Rp / ISO 7-1
Remarques: SSIGE Eau 1/8" - 4"
 SSIGE Gaz 1/4" - 2"
 DVGW 3/8" - 2"



4.0180.	038	050	075	100	125	150	200
Rp	3/8"	1/2"	3/4"	1"	1 1/4"	1 1/2"	2"
L	22	26	30	35	42	44	53
Z	13	15	17	22	26	30	37
Verpackung / Emballage							
Polybag	10	10	10	10	5	5	1
Box	150	120	70	50	30	25	16