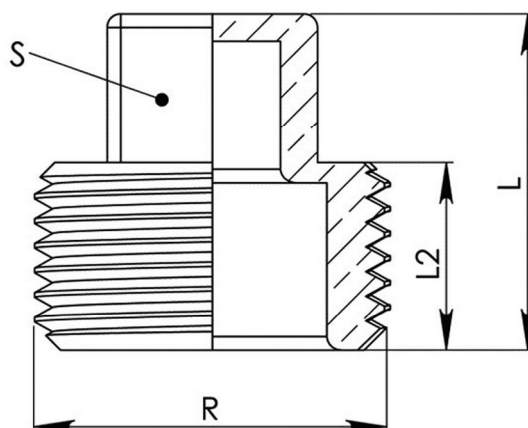


Art. 4.0290



Beschrieb: Stopfen Vierkant ohne Rand
Material: Rotguss CC499K / DIN 50930-6
Gewindeart: AG-R / ISO 7-1
Bemerkungen: SVGW Wasser 1/8" - 4"
 SVGW Gas 1/4" - 2"
 DVGW 3/8" - 2"

Description: bouchon quatre pans sans bordure
Matériel: bronze CC499K / DIN 50930-6
Filetage: m-R / ISO 7-1
Remarques: SSIGE Eau 1/8" - 4"
 SSIGE Gaz 1/4" - 2"
 DVGW 3/8" - 2"



4.0290.	013	025	038	050	075	100	125	150	200	250	300
R	1/8"	1/4"	3/8"	1/2"	3/4"	1"	1 1/4"	1 1/2"	2"	2 1/2"	3"
L	16	17	20	23	25	30	31	35	37	47	47
L2	7	9	12	14	15	18	17	19	20	27	29
S	6	8	11	14	16	22	25	28	33	39	46
Verpackung / Emballage											
Polybag	10	10	10	10	10	10	10	5	5	1	1
Box				600	600	300	200	160	120		