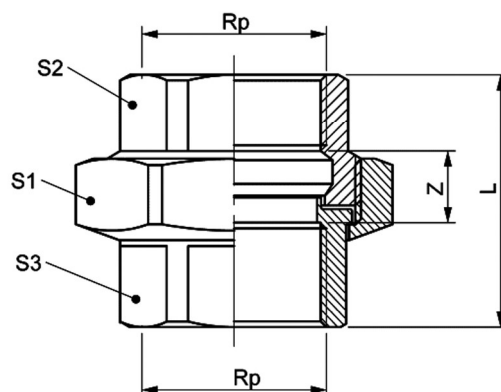


Art. 6.0330



Beschrieb: Verschraubung flachdichtend
Material: Messing CW617N / CC753S
Dichtung: Fasit 202
Gewindeart: IG-Rp / ISO 7-1 / IG - G / ISO 228-1
Bemerkungen: SVGW Wasser 3/8" - 2"
 SVGW Gas 3/8" - 2"

Description: vis de rappel à joint plat
Matériel: laiton CW617N / CC753S
Joints: Fasit 202
Filetage: f-Rp / ISO 7-1 / f - G / ISO 228-1
Remarques: SSIGE Eau 3/8" - 2"
 SSIGE Gaz 3/8" - 2"



6.0330.	038	050	075	100	125	150	200	250	300
Rp	3/8"	1/2"	3/4"	1"	1 1/4"	1 1/2"	2"	2 1/2"	3"
L	40	48	47	50	59	67	69	88	86
Z	17	14	17	21	19	19	22	30	28
S1	36	44	47	55	65	72	88	108	122
S2	21	26	32	38	47	54	66	82	96
S3	21	26	32	38	47	54	66	82	95
G	7/8"	1 1/8"	1 1/4"	1 1/2"	2"	2 1/4"	2 3/4"	3 1/2"	4"
Verpackung / Emballage									
Polybag	10	10	10	10	5	5	2	1	1