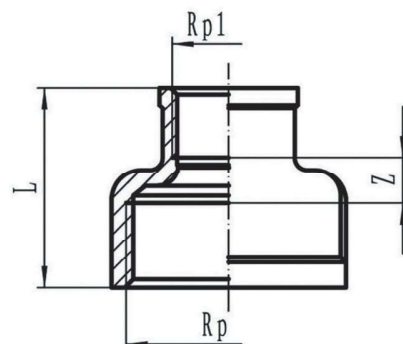


Art. 8.0240



Beschrieb: Reduziermuffe
Material: Edelstahl AISI 316 - 1.4408 / ISO 4144
Gewindeart: IG-Rp / ISO 7-1
Bemerkungen: SVGW Wasser 3/8" - 4"
 SVGW Gas 3/4" - 2"

Description: manchon réduit
Matériel: inox AISI 316 - 1.4408 / ISO 4144
Filetage: f-Rp / ISO 7-1
Remarques: SSIGE Eau 3/8" - 4"
 SSIGE Gaz 3/4" - 2"



8.0240.	025	038	039	050	051	074	075	076	100	102	125	126
Rp	1/4"	3/8"	3/8"	1/2"	1/2"	3/4"	3/4"	3/4"	1"	1"	1 1/4"	1 1/4"
Rp1	1/8"	1/8"	6"	1/4"	3/8"	1/4"	3/8"	1/2"	1/2"	3/4"	1/2"	3/4"
L	25	26	26	34	34	30	24	36	42	42	43	48
Z	2	2	2	2	2	3	2	2	3	3	3	3
Verpackung / Emballage												
Polybag	10	10	10	10	10	10	10	10	10	10	10	10

8.0240.	127	150	151	152	198	199	200	201	202	249	250	251
Rp	1 1/4"	1 1/2"	1 1/2"	1 1/2"	2"	2"	2"	2"	2"	2 1/2"	2 1/2"	2 1/2"
Rp1	1"	3/4"	1"	1 1/4"	1/2"	3/4"	1"	1 1/4"	1 1/2"	1 1/4"	1 1/2"	2"
L	48	45	52	52	46	61	54	58	58	56	58	65
Z	3	4	4	4	10	21	5	5	5	5	5	5
Verpackung / Emballage												
Polybag	10	10	10	10	10	10	10	10	10	5	5	5

Art. 8.0240

8.0240.	300	301	400
Rp	3"	3"	4"
Rp1	2"	2 1/2"	3"
L	64	72	65
Z	6	6	6
Verpackung / Emballage			
Polybag	1	1	1